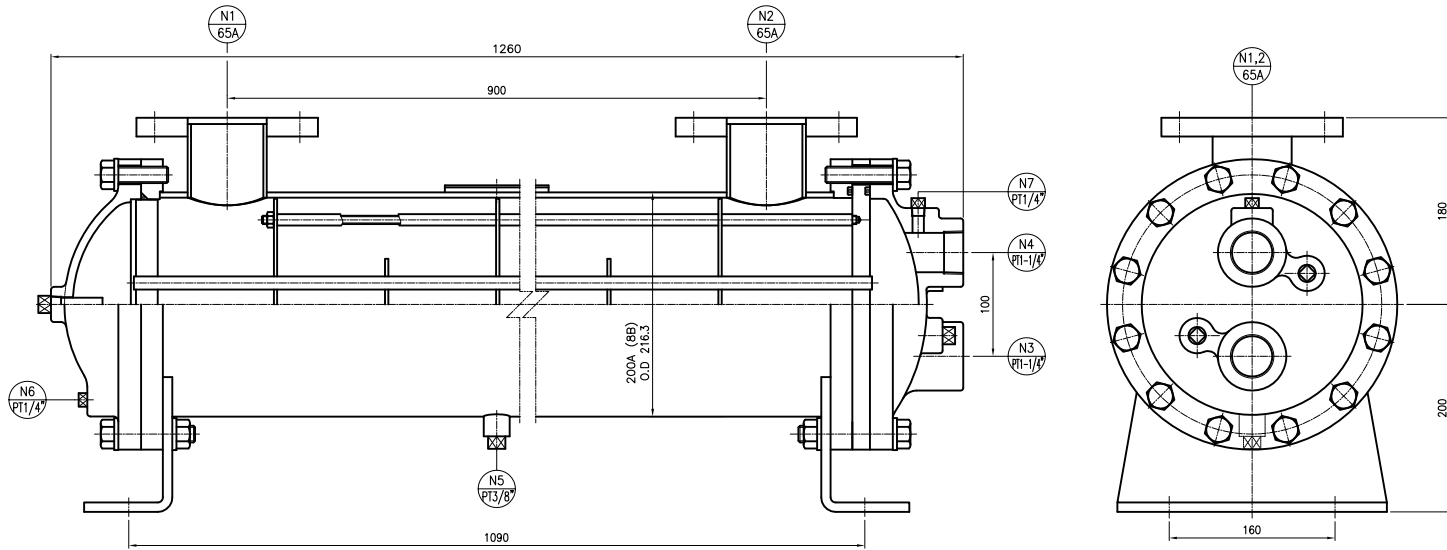


-MS 'ON 'DMD



NOZZLE TABLE						
MARK	SIZE	NECK		RATING	MATERIAL	SERVICE
		SCH	MATERIAL			
N1	65A	-	SPP	KS 10K FF	SS400	OIL-INLET
N2	65A	-	SPP	KS 10K FF	SS400	OIL-OUTLET
N3	PT1-1/4"	-	-	-	FC200	WATER-INLET
N4	PT1-1/4"	-	-	-	FC200	WATER-OUTLET
N5	PT3/8"	-	-	WITH PLUG	SS400	DRAIN
N6	PT1/4"	-	-	WITH PLUG	FC200	DRAIN
N7	PT1/4"	-	-	WITH PLUG	FC200	VENT

MODEL NO. : LC-8100-F1

REV	DATE	REASON OF REVISION	PREP'D	CHK'D	RIV'D	APP'D
<p><b>SPICO Corporation</b></p> <p>Plant: - Facility: -</p> <p>Title: TYPE : LC-8100-F1 ITEM NO. : -</p> <p>OIL COOLER ASS'Y</p> <p>Scale: 1:1 Date: 2021.07.06</p> <p>UNIT: mm</p> <p>USER: Sign-ature Date</p> <p>DRAWN: P.S.I</p> <p>CHECKED: [ ]</p> <p>REVIEWED: [ ]</p> <p>APPROVED: [ ]</p> <p>SW: SW-0641A</p>						