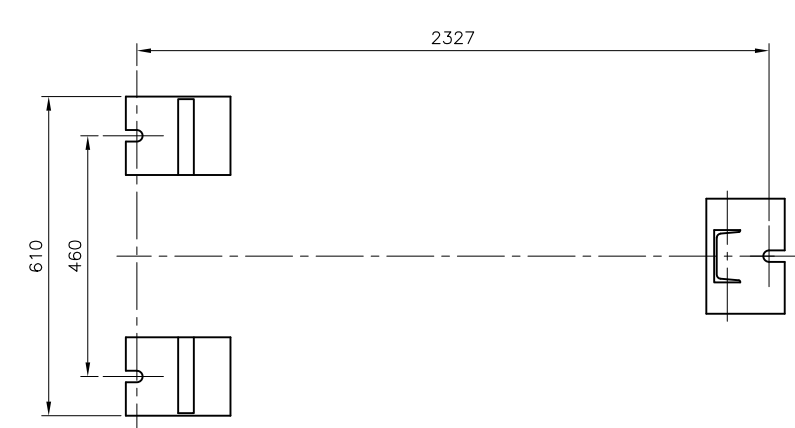
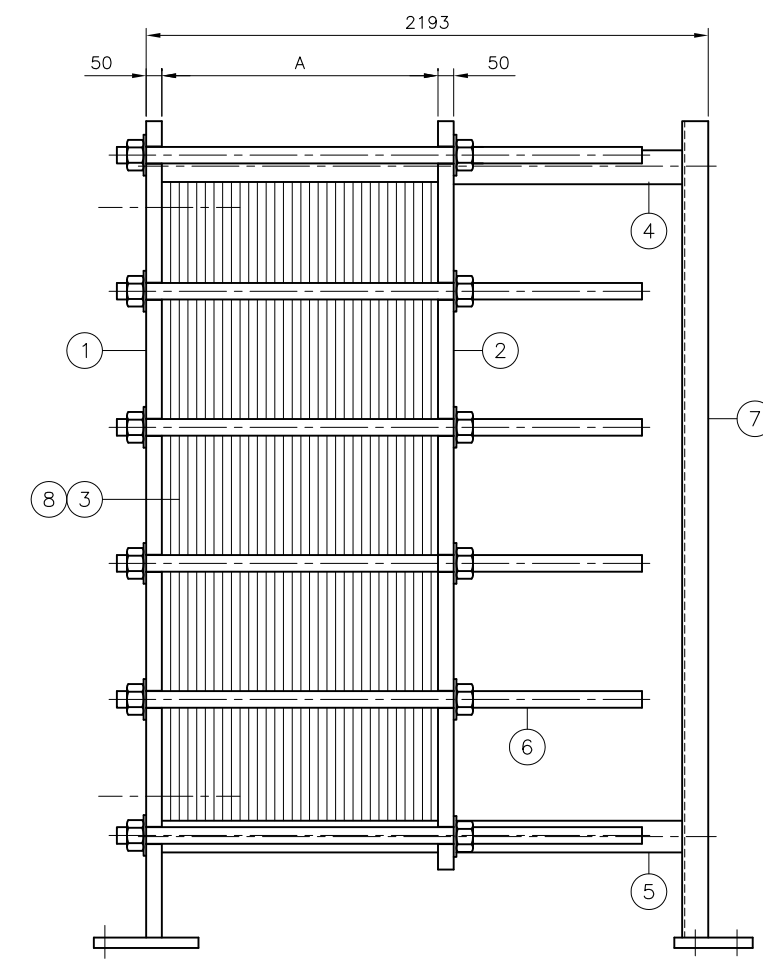
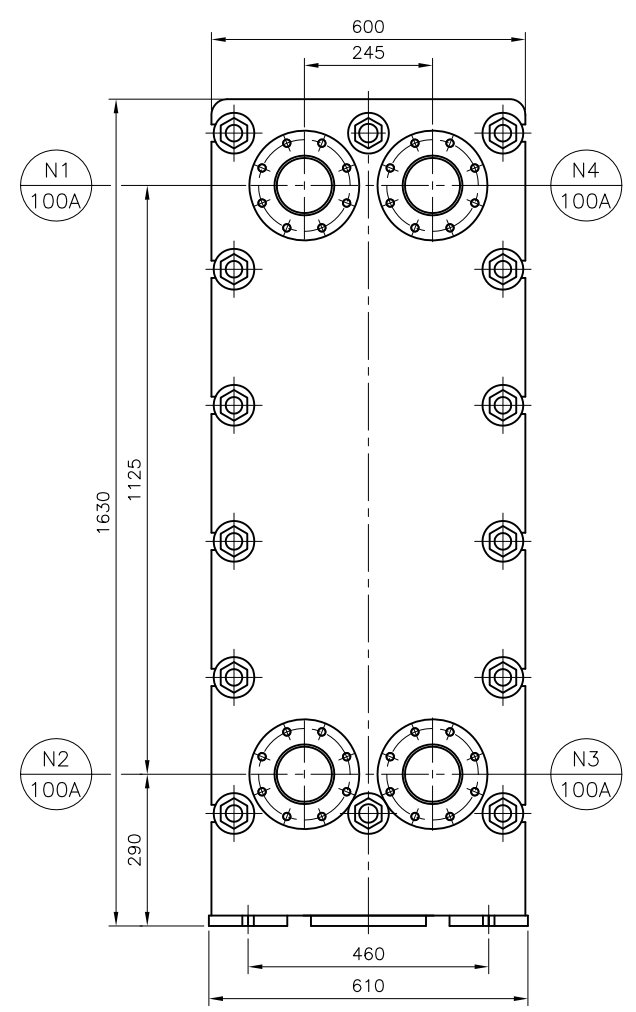
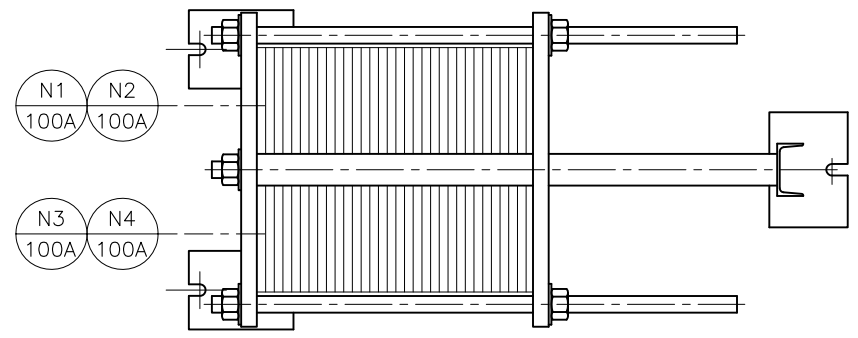


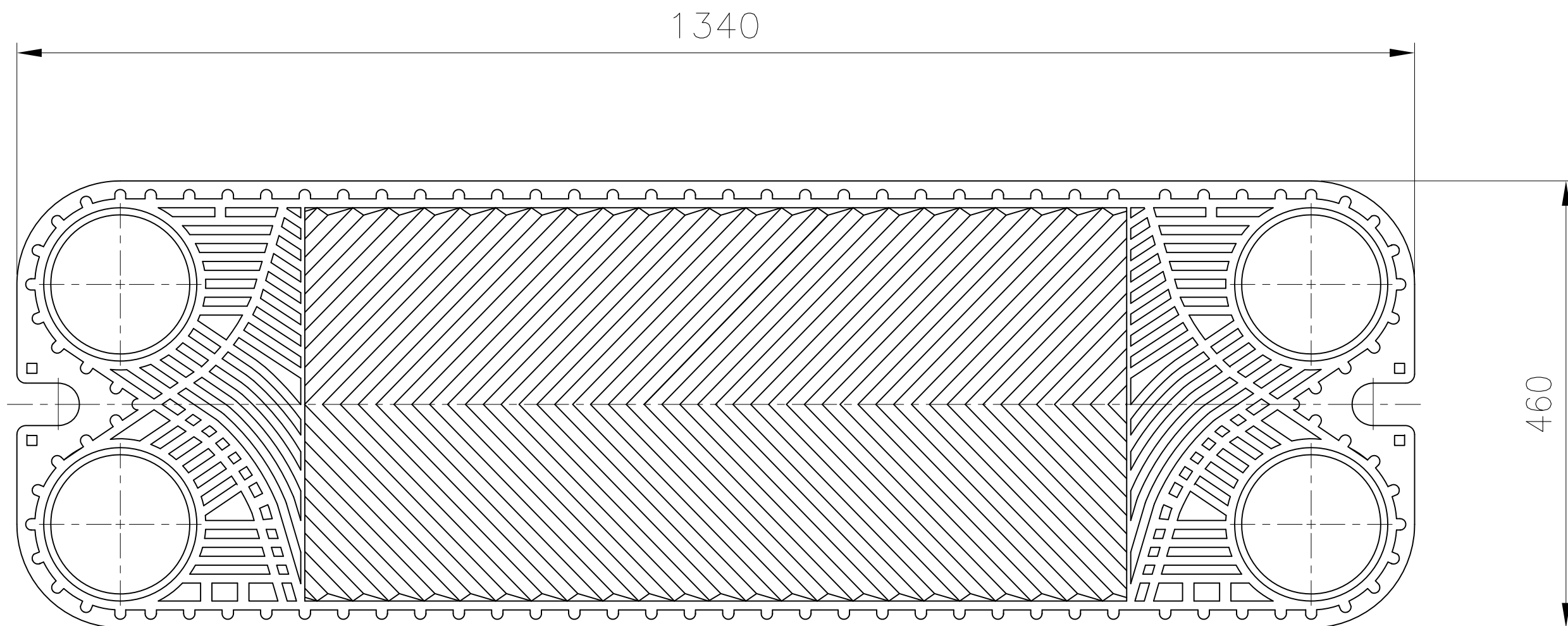
| NO. | DESCRIPTION     | MATERIAL | Q'TY   | SIZW, DWG NO.  | WT. (kg) |       | REMARK |
|-----|-----------------|----------|--------|----------------|----------|-------|--------|
|     |                 |          |        |                | UNIT     | TOTAL |        |
| 1   | FIXED COVER     | SS400    | 1      | 50t            |          |       |        |
| 2   | REMOVAL COVER   | SS400    | 1      | 50t            |          |       |        |
| 3   | PLATE           | SUS316   | 371    | 0.6t           |          |       |        |
| 4   | UPPER GUIDE BAR | SUS304   | 1      | SCH.80xH100x60 |          |       |        |
| 5   | LOW GUIDE BAR   | SUS304   | 1      | SCH.40xH100x60 |          |       |        |
| 6   | PRESSURE BOLT   | S45C     | 12sets | U1 1/4"        |          |       |        |
| 7   | SUPPOT COLUMN   | SS400    | 1      | 150x100x10t    |          |       |        |
| 8   | GASKET          | NBR      | 371    |                |          |       |        |

| MEASUREMENT  |           |     |           |           |          |                |
|--------------|-----------|-----|-----------|-----------|----------|----------------|
| A            | MAX. 1447 |     | MIN. 1521 |           |          |                |
| NOZZLE TABLE |           |     |           |           |          |                |
| MARK         | NECK      |     |           | RATING    | MATERIAL | SERVICE        |
|              | SIZE      | SCH | MATERIAL  |           |          |                |
| N1           | 100A      | -   | -         | KS 10K RF | SUS304   | OIL-INLET      |
| N2           | 100A      | -   | -         | KS 10K RF | SUS304   | OIL-OUTLET     |
| N3           | 100A      | -   | -         | KS 10K RF | SUS304   | C.WATER-INLET  |
| N4           | 100A      | -   | -         | KS 10K RF | SUS304   | C.WATER-OUTLET |

|   |   |                    |          |   |          |             |            |          |          |
|---|---|--------------------|----------|---|----------|-------------|------------|----------|----------|
| <div style="text-align: center;"> </div>      |   |                    |          |   |          |             |            |          |          |
| REV   | DATE  | REASON OF REVISION | PREP'D   | CHK'D   | RIV'D    | APP'D       |            |          |          |
| <h2 style="margin: 0;">P O S C O</h2>         |   |                    |          |   |          |             |            |          |          |
| <h3 style="margin: 0;">SPICO CORPORATION</h3> |   |                    |          | Scale   | 1:18     | Date        | 2016.12.26 |          |          |
| Plant   | -   | Facility           | -        | UNIT  | mm       | Pro-jection |            |          |          |
| Title   | TYPE : SPH-160-F-371-16-S      ITEM NO. : - |                    |          | <div style="text-align: center;"> <h3 style="margin: 0;">PLATE HEAT EXCHANGER</h3> </div> |          |             |            |          |          |
| USER  | Drawn                                       | Checked            | Reviewed | Approved  | SUPPLIER | Drawn       | Checked    | Reviewed | Approved |
|   | Signature                                   |                    |          |   |          | S.I.PARK    |            |          |          |
| Date  |   |                    |          |   | Dwg No.  | SW-0600A    |            |          |          |



-MS ON 9MD



MODEL NO. : SPH-160-16  
 THICKNESS : 0.6t  
 MATERIAL : SUS316

| △     | REV                                 | DATE     | REASON OF REVISION | PREP'D   | CHK'D    | RIV'D                | APP'D   |          |          |
|-------|-------------------------------------|----------|--------------------|----------|----------|----------------------|---------|----------|----------|
|       |                                     |          |                    |          |          |                      |         |          |          |
| -     |                                     |          |                    |          |          |                      |         |          |          |
|       |                                     |          |                    | Scale    | N:S      | Date                 | -       |          |          |
| Plant | -                                   | Facility | -                  | UNIT     | mm       | Pro-<br>jec-<br>tion |         |          |          |
| Title | TYPE : SPH-160-16      ITEM NO. : - |          |                    | SW No.   |          |                      |         |          |          |
|       | PLATE HEAT EXCHANGER PLATE          |          |                    | SW No.   |          |                      |         |          |          |
| USER  | Drawn                               | Checked  | Reviewed           | Approved | SUPPLIER | Drawn                | Checked | Reviewed | Approved |
|       | Sign-<br>ature                      |          |                    |          |          | P.S.I                |         |          |          |
|       | Date                                |          |                    |          |          | Dwg No.              | SW-A    |          |          |



MODEL NO. : SPH-160-S  
 THICKNESS : 4.7t  
 MATERIAL : NBR

|       |                             |                    |         |          |              |          |             |         |          |          |
|-------|-----------------------------|--------------------|---------|----------|--------------|----------|-------------|---------|----------|----------|
| △     |                             |                    |         |          |              |          |             |         |          |          |
| REV   | DATE                        | REASON OF REVISION |         |          | PREP'D       | CHK'D    | RIV'D       | APP'D   |          |          |
| -     |                             |                    |         |          |              |          |             |         |          |          |
|       |                             |                    |         |          | Scale        | N:S      | Date        | -       |          |          |
| Plant | -                           | Facility           | -       |          | UNIT         | mm       | Pro-jection |         |          |          |
| Title | TYPE : SPH-160-S            |                    |         |          | ITEM NO. : - |          | SW No.      |         |          |          |
|       | PLATE HEAT EXCHANGER GASKET |                    |         |          | SW No.       |          |             |         |          |          |
| USER  | Signature                   | Drawn              | Checked | Reviewed | Approved     | SUPPLIER | Drawn       | Checked | Reviewed | Approved |
|       | Date                        |                    |         |          |              | P.S.I    |             |         |          |          |
|       |                             |                    |         |          |              |          | Dwg No.     | SW-A    |          |          |