

-MS 'ON 'OMG

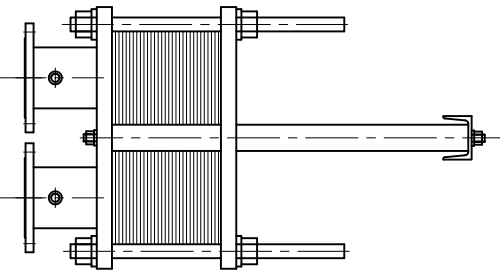
NO.	DESCRIPTION	MATERIAL	Q'TY	SIZE, DWG NO.	WT. (kg)		REMARK
					UNIT	TOTAL	
1	FIXED FRAME	SS400	1	35t			
2	REMOVE FRAME	SS400	1	35t			
3	PLATE	STS304	57	0.5t			
4	UPPER GUIDE BAR	STS304	1	Ø60			
5	LOWER GUIDE BAR	STS304	1	Ø60			
6	PRESSURE BOLT	SM45C	8	U 1-1/4"			
7	SUPPORTING COLUMN	SS400	1	= 100x50x7.5t			

N2
125A

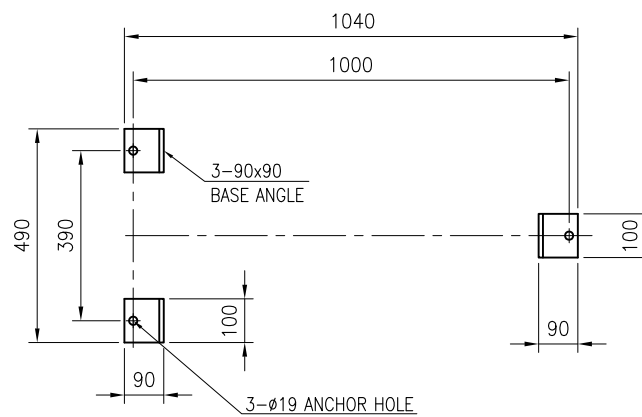
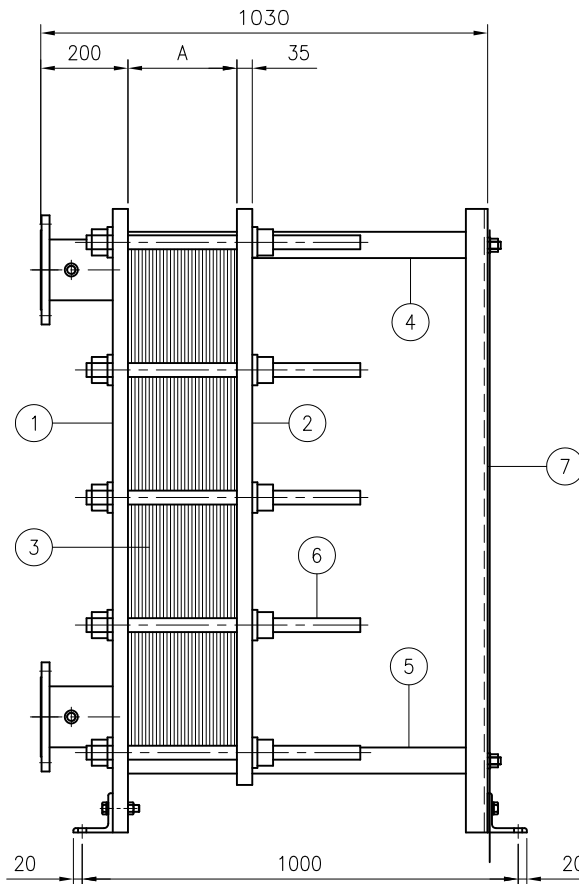
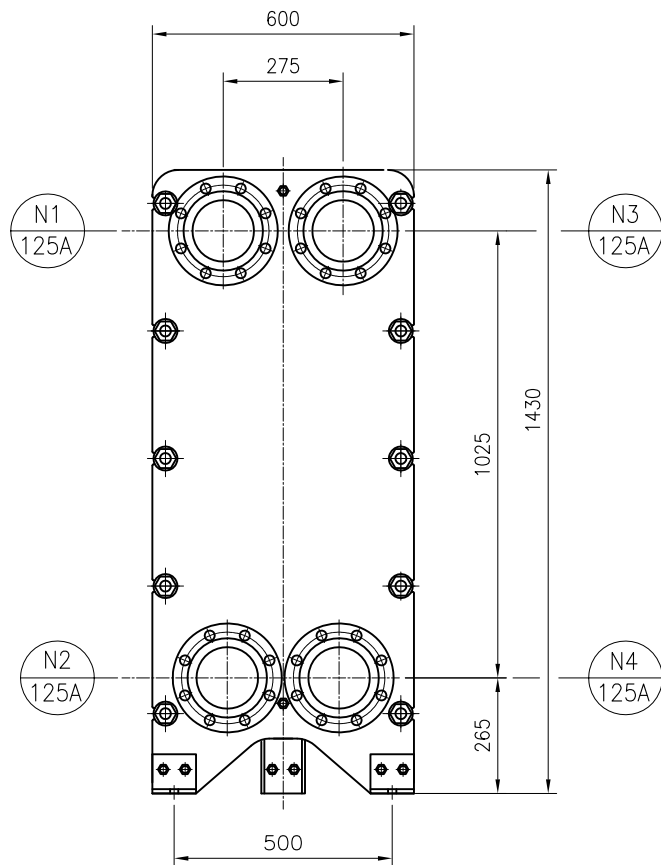
N1
125A

N4
125A

N3
125A



MEASUREMENT						
A	MAX. 240		MIN. 250			
NOZZLE TABLE						
MARK	NECK			RATING	MATERIAL	SERVICE
	SIZE	SCH	MATERIAL			
N1	125A	-	-	KS 10K RF	STS304	OIL-INLET
N2	125A	-	-	KS 10K RF	STS304	OIL-OUTLET
N3	125A	-	-	KS 10K RF	STS304	C.WATER-OUTLET
N4	125A	-	-	KS 10K RF	STS304	C.WATER-INLET



REV	DATE	REASON OF REVISION	PREP'D	CHK'D	RIV'D	APP'D
P O S C O						
SPICO CORPORATION			Scale	1:18	Date	2016.05.24
Plant	-		Facility	-		
TYPE : SPH-050-F-57-04-S			ITEM NO. : -			
Title			PLATE HEAT EXCHANGER			
USER	Drawn	Checked	Reviewed	Approved	Drawn	Checked
	Signature				S.I.PARK	
Date						
Dwg No. SW-0576A			A3 (420x297m/m)			