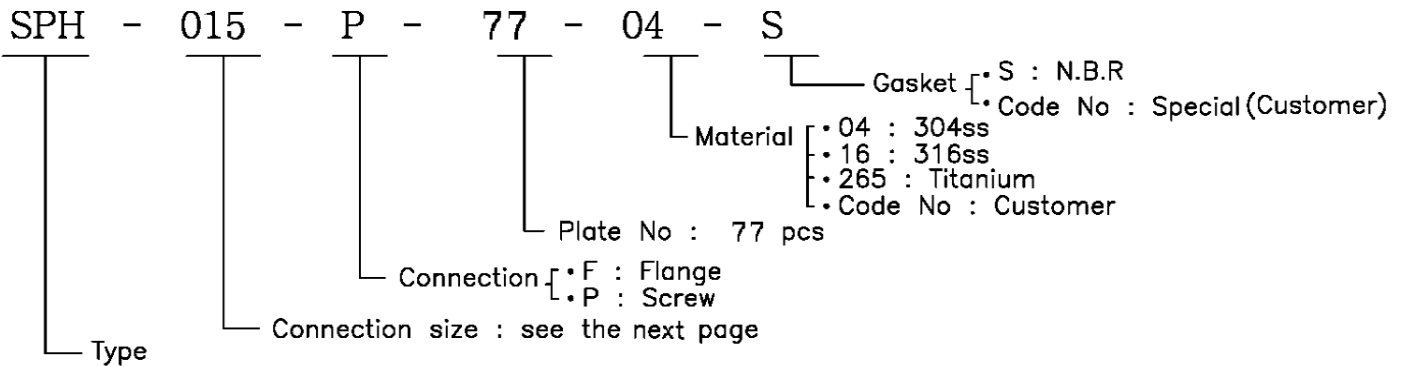


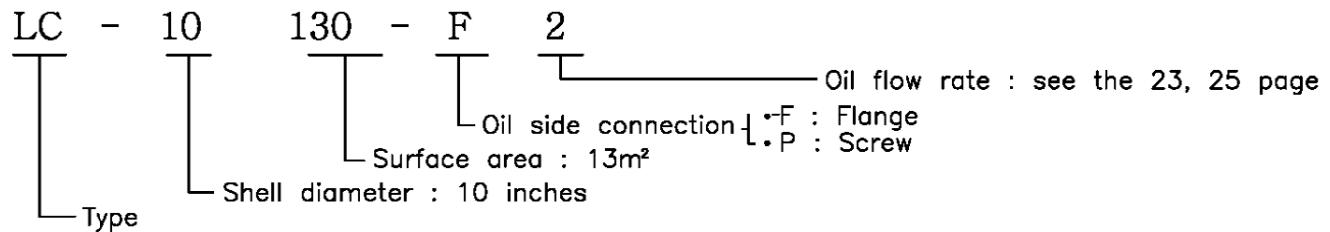
SYMBOLS AND CONSTRUCTION

MODEL IDENTIFICATION FOR PLATE HEAT EXCHANGER



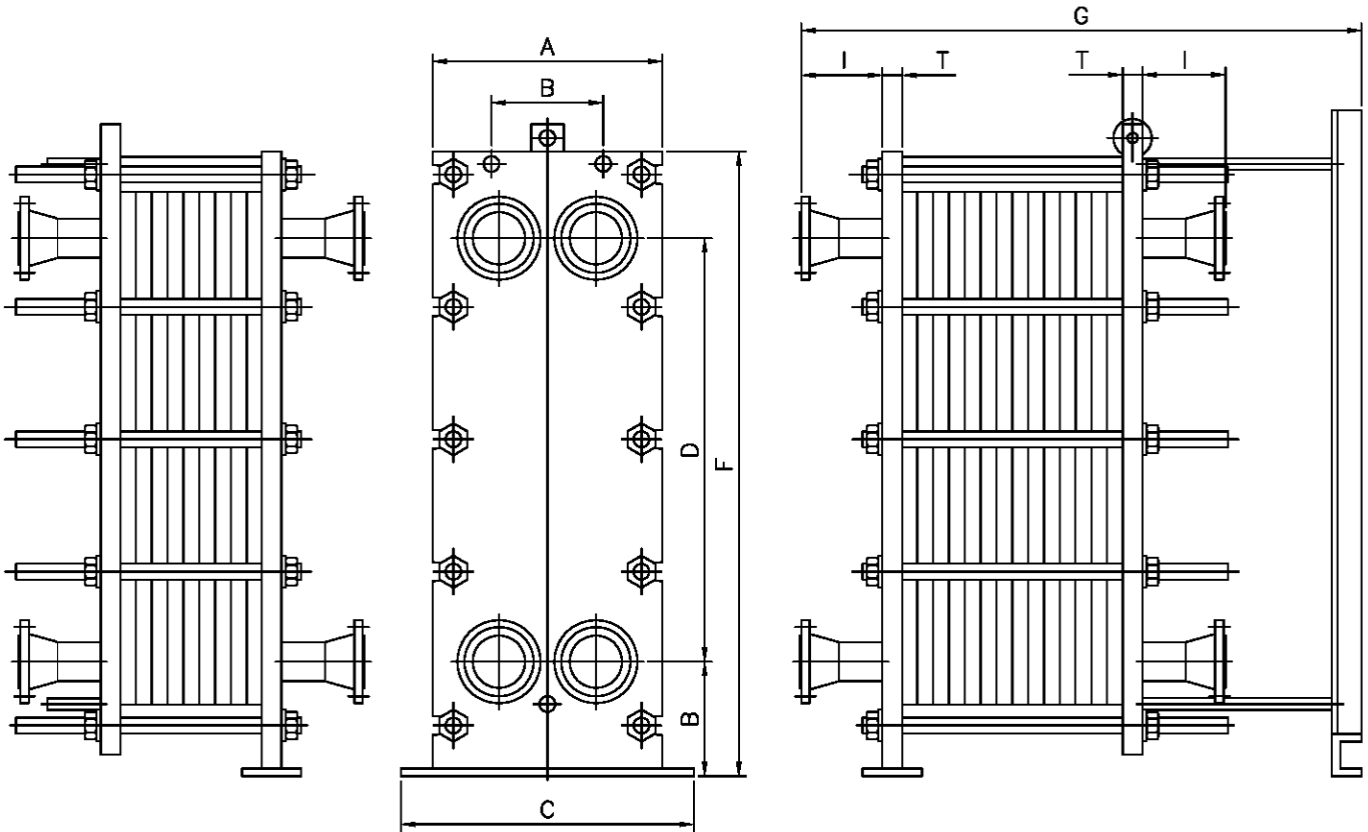
MAX. OPERATING TEMP.	200°C
MAX. OPERATING PRESS.	Max. 20 kg/cm ²
PLATE MATERIAL	SUS304, 304L, 316, 316L (A240-304, 304L, 316, 316L) TITANIUM, TI-PD. Etc.
GASKET MATERIAL	NBR, VITON, EPDM, Etc.
FRAME MATERIAL	CARBON STEEL, SUS304, 316, SUS LINING

MODEL IDENTIFICATION FOR OIL COOLER



Water port	Fresh water	Sea water
Screw connection	LC (Fin tube) HC (Bare tube)	-
Flange connection	LCF (Fin tube) HCF (Bare tube) HCV (Bare tube)–Vertical type HCL (Bare tube) LCV (Fin tube)	MLF (Fin tube) MCF (Bare tube)

SPH TYPE (PLATE HEAT EXCHANGER)



- Test Pressure : 9.9kg/cm²
- Design Temperature : 200 °C

DIMENSION

(unit : mm)

TYPE	A	B	C	D	E	F	G (MAX)	I	T	Conne- -tion (INCH)	Surface area(m ²)	Flow rate (MAX.m ³ /hr)
SPH-015	200	70	240	377	139	580	1000	100	20	1 1/4"	0.041	10
SPH-020	400	163	440	830	287	1250	1500	150	30	2"	0.18	35
SPH-025	330	135	370	592	150	826	1520	150	25	2 1/2"	0.125	60
SPH-030	550	257	630	1010	321	1487	2000	200	40	3"	0.32	100
SPH-040	530	257	660	1227	380	1814	2000	200	40	4"	0.46	200
SPH-050	600	275	680	1025	280	1450	2000	200	40	5"	0.395	220
SPH-060	600	245	680	1125	290	1580	3000	200	40	6"	0.47	450
SPH-080	740	307	840	1360	398	2050	3000	250	60	8"	0.63	700
SPH-100	1068	500	1068	1865	423	2550	3500	300	80	10"	1.28	1100
SPH-120	1068	540	1068	1865	485	2695	4000	300	80	12"	1.63	1500

NOTE : If required, please give specify connection part such as PT, NPT, JIS flange, ANSI flange.